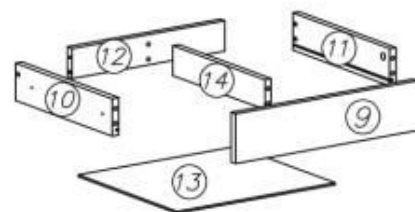
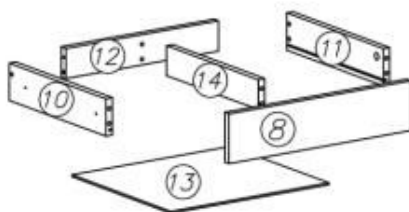
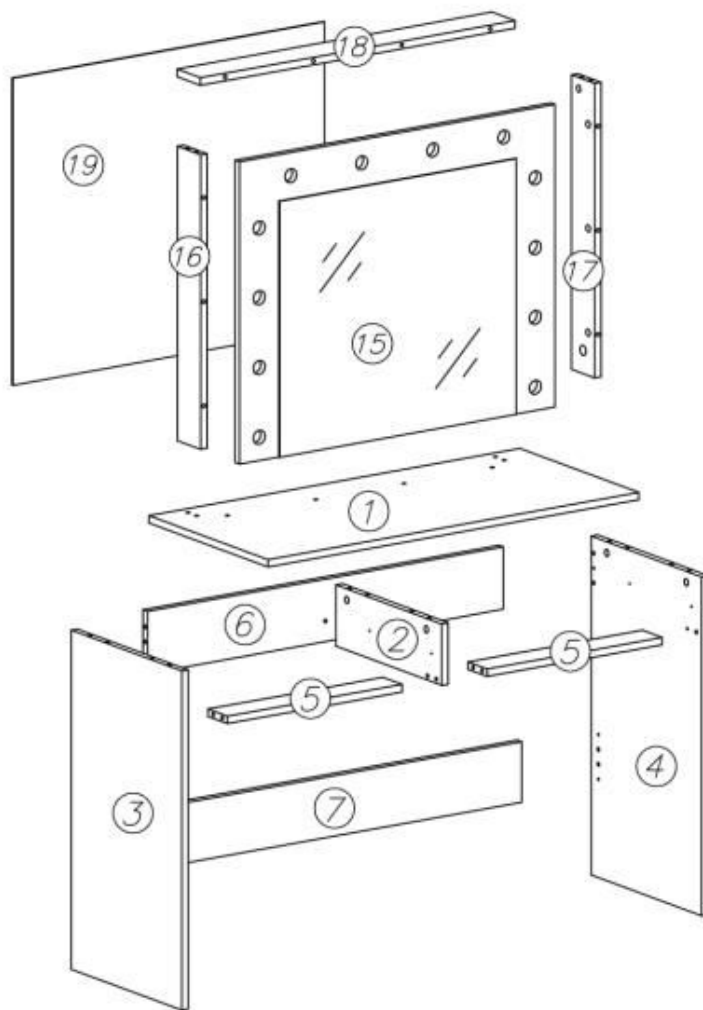
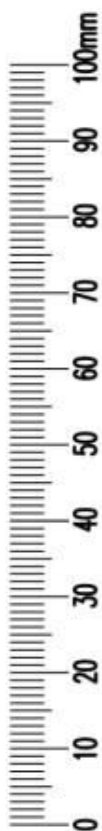
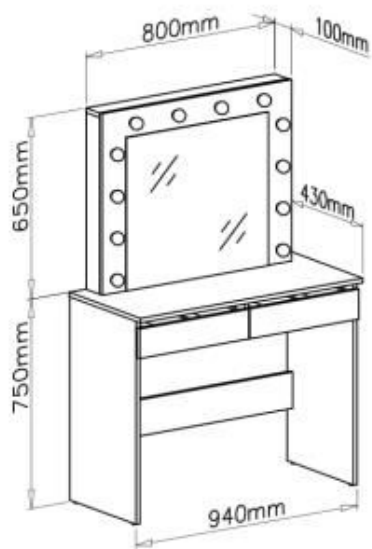






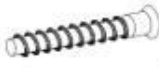








HOLLYWOOD

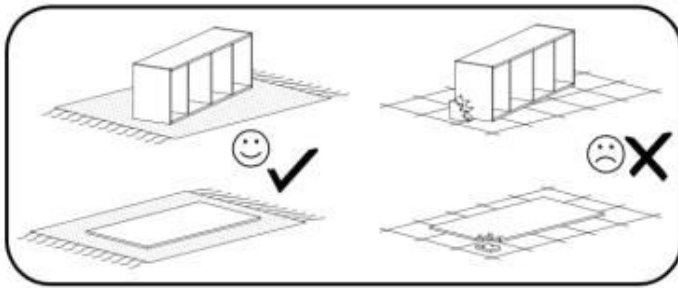


HALMAR Sp. z o.o., ul. Centralnego Okręgu Przemysłowego 2,
37-450 Stalowa Wola, POLSKA / POLAND
tel. + 48 15 843 28 10, fax: +48 15 842 19 57, e-mail: office@halmar.com.pl

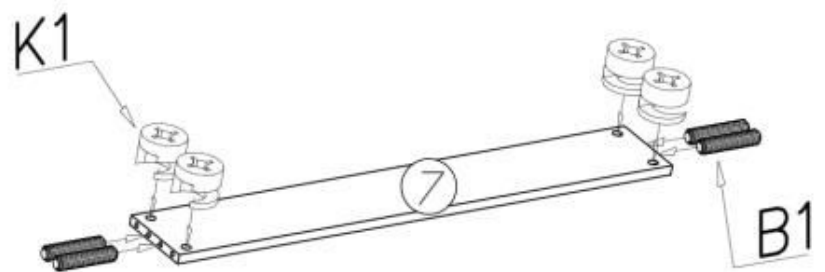
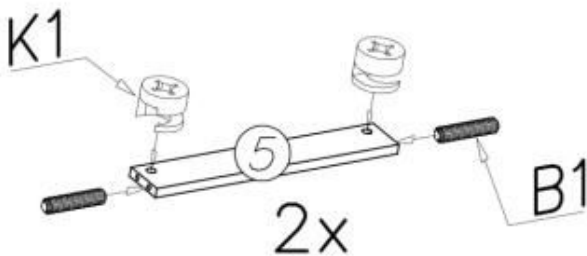
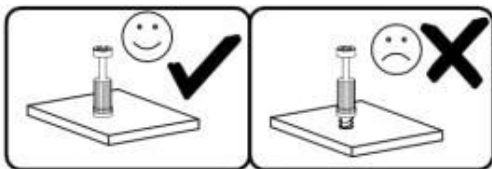
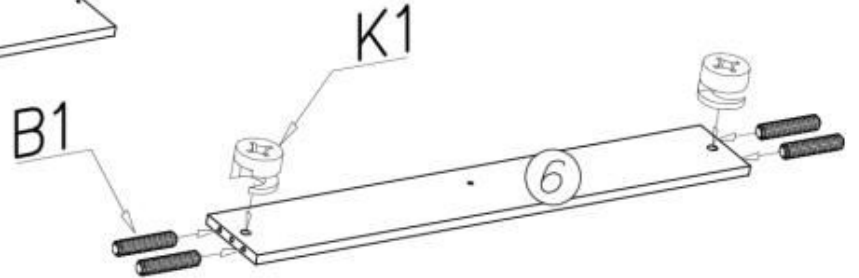
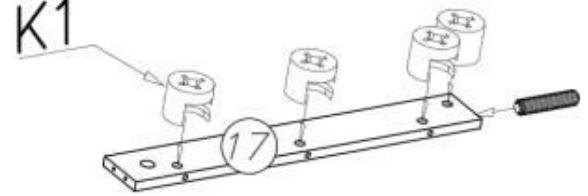
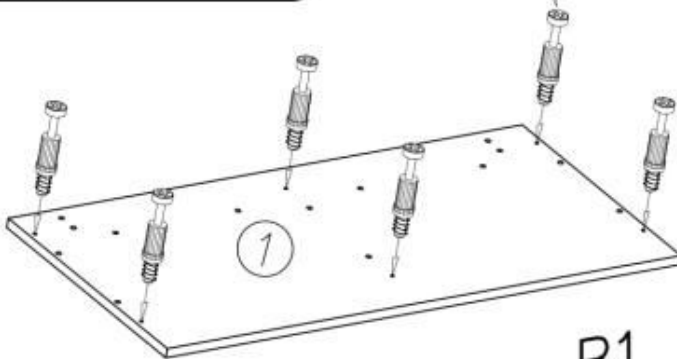
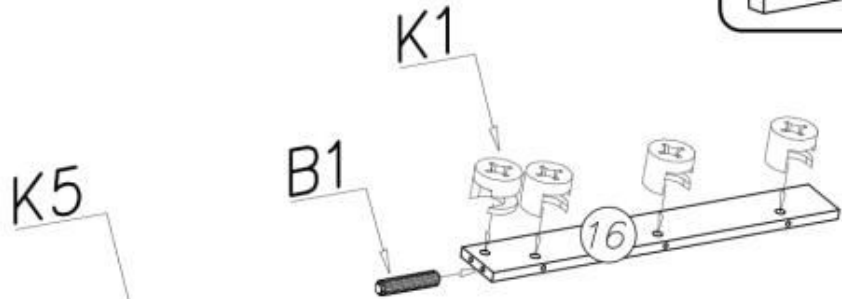
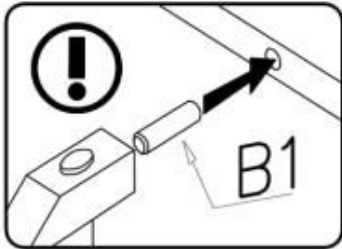
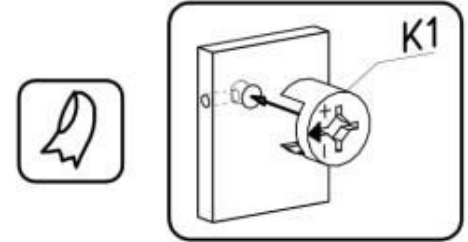
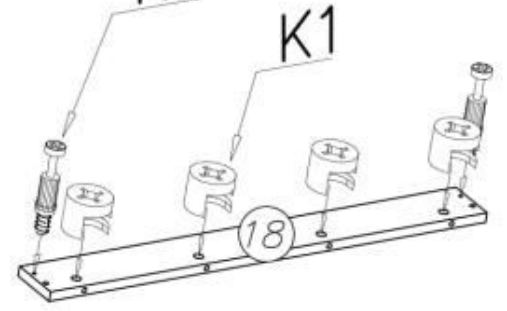
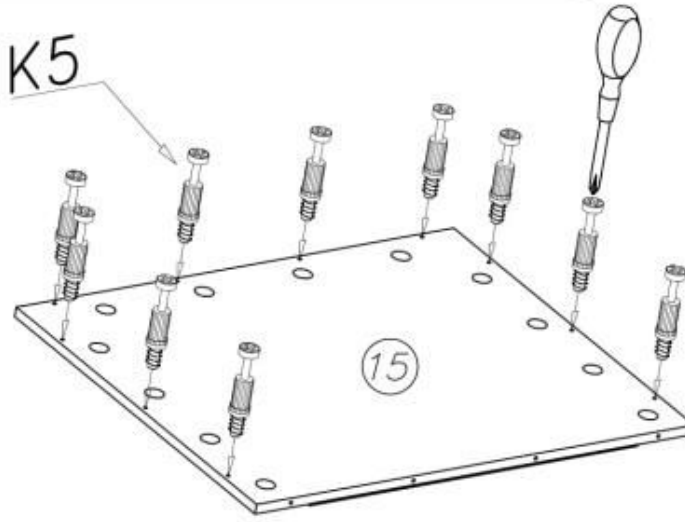
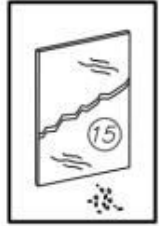


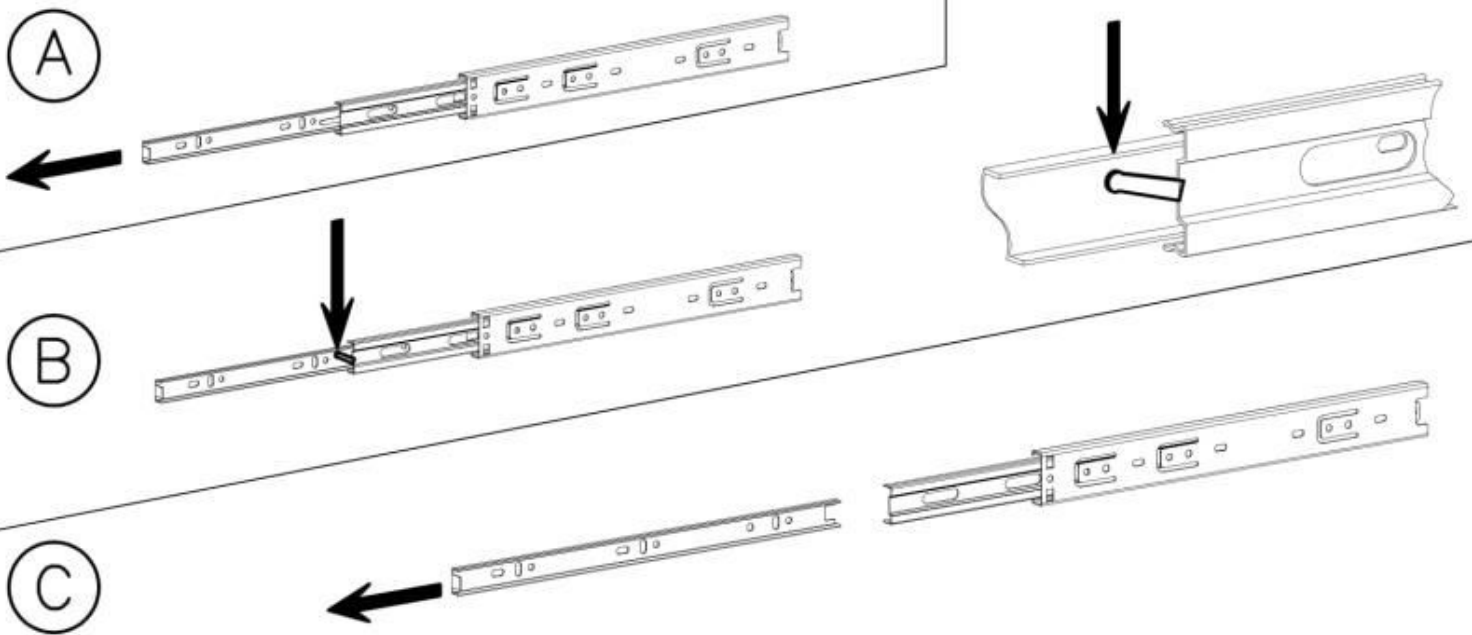
| | | | | |
|--|---|---|---|--|
| K6  1x | H23  H30-350mm 2x | G22  3x16 26x | B1  Ø8x30 36x | W10  1x |
| W2  1x | A1  Ø7x50 13x | W4  Ø1,4x20 14x | I7  Ø18 14x | x12  1x |
| K1  Ø15x12 32x | K5  30x | P4  4x | | |

1

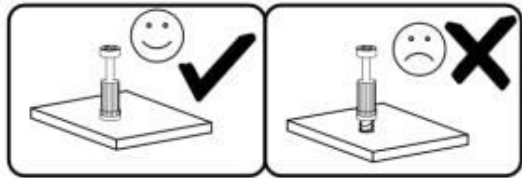


| | | | |
|-------|-----|--------|-----|
| B1 | | K1 | |
| ø8x30 | 14x | ø15x12 | 22x |
| | | K5 | |
| | | | 18x |

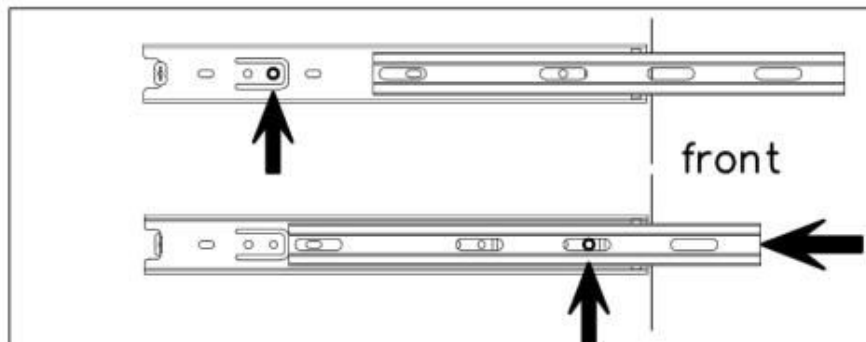
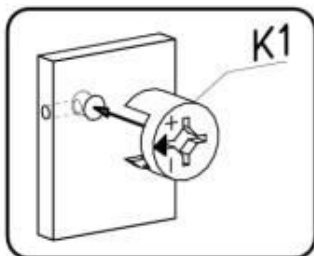
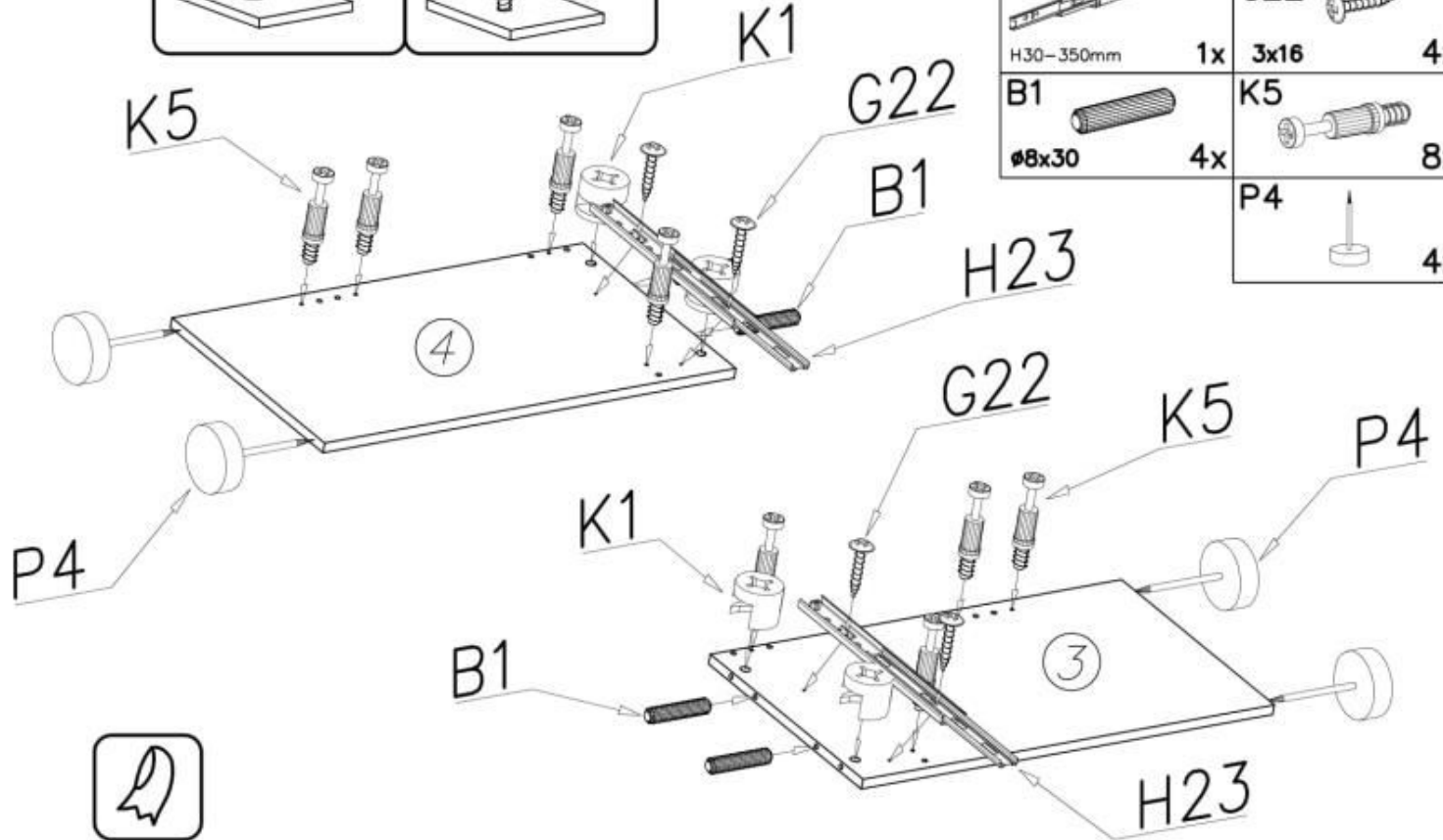




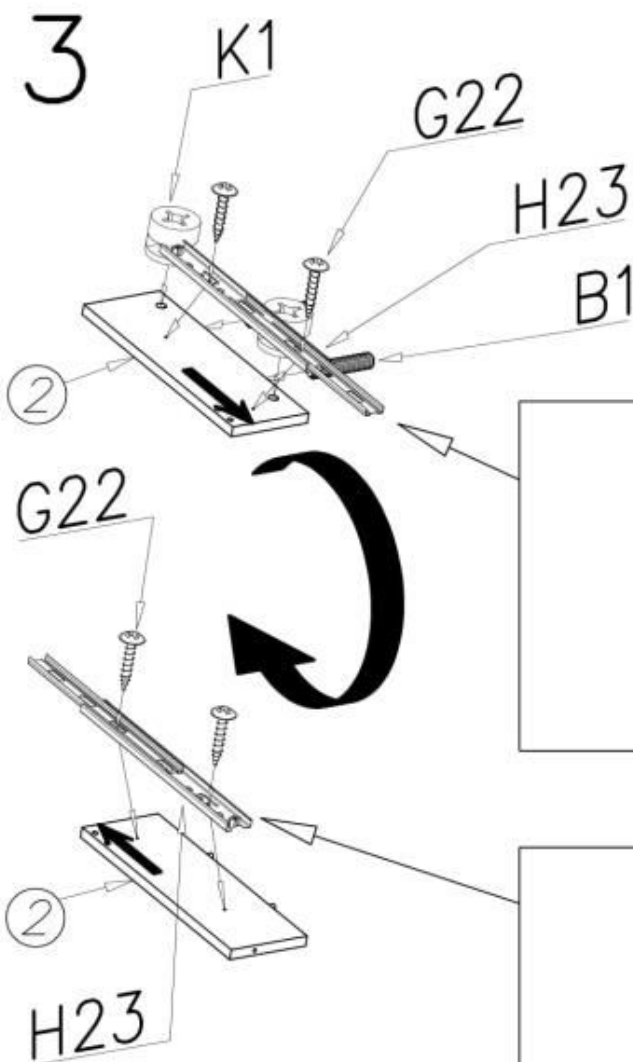
2




| | | | |
|-----------|--------|------|----|
| H23 | K1 | | |
| | | 4x | |
| H30-350mm | Ø15x12 | 1x | 4x |
| B1 | G22 | 3x16 | 4x |
| Ø8x30 | | | 8x |
| | K5 | | 4x |
| | | | |
| | P4 | | 4x |
| | | | |





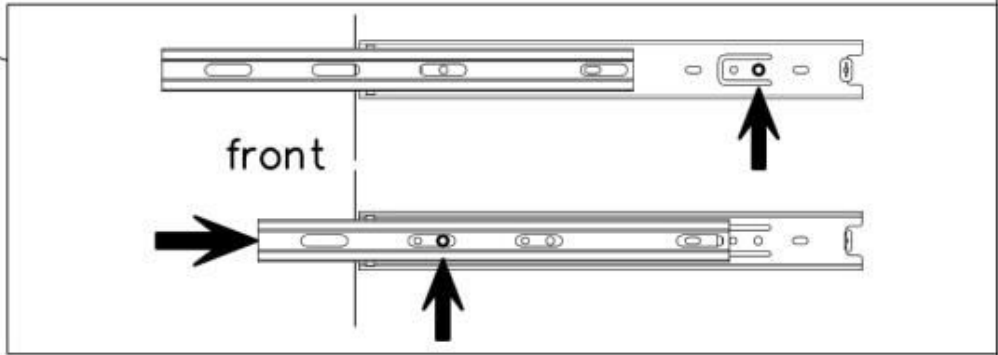
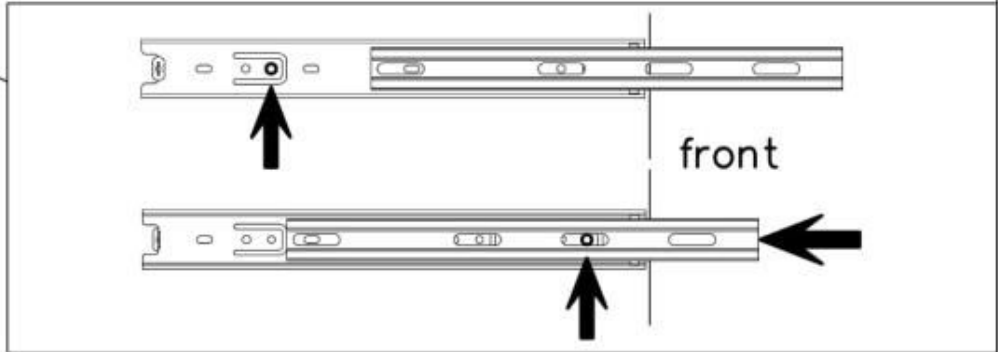
3



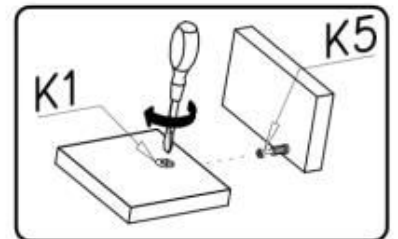
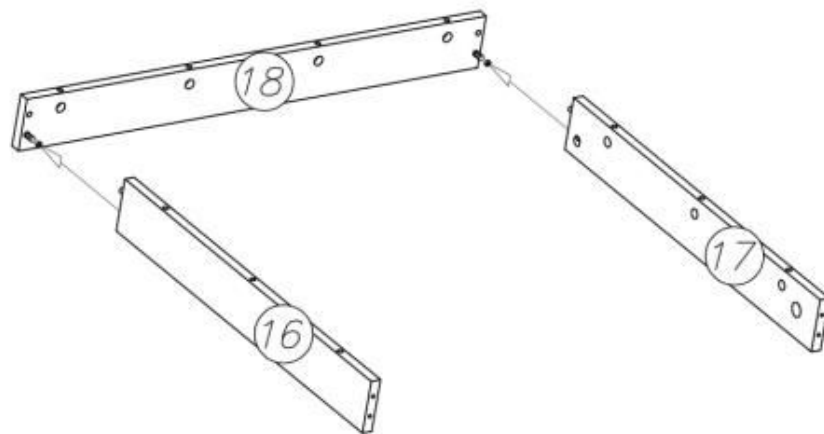
B1  2x
 Ø8x30

H23 
 H30-350mm 1x

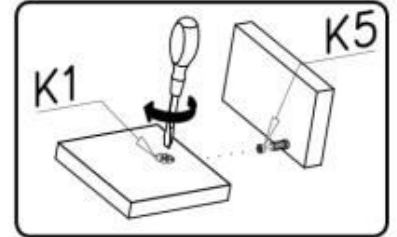
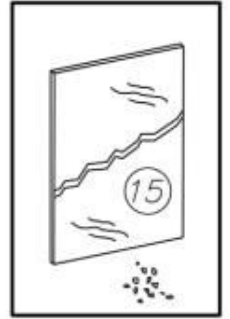
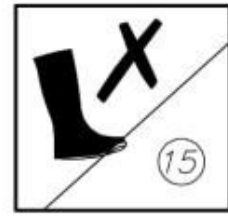
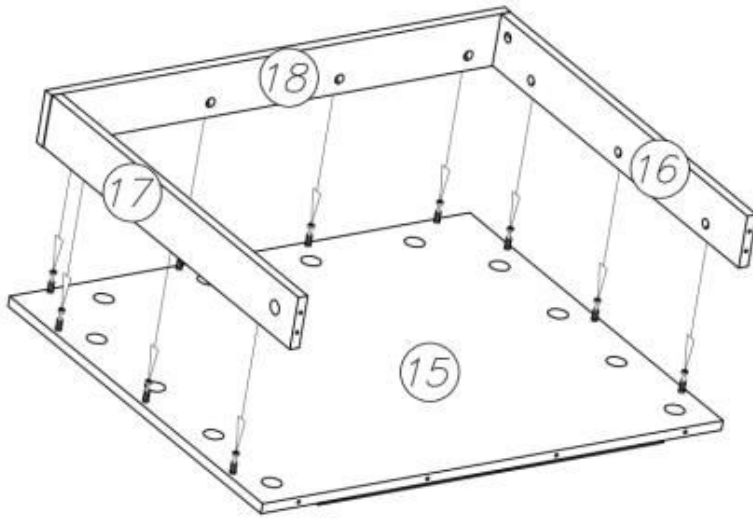
K1  2x
 Ø15x12
 G22  4x
 3x16



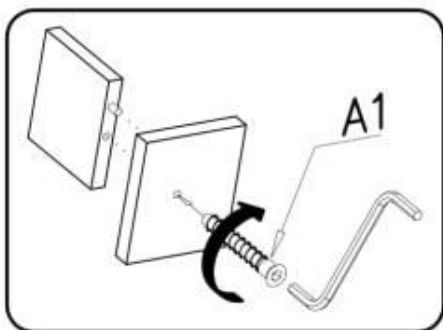
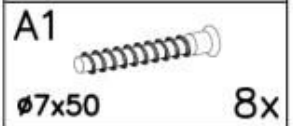
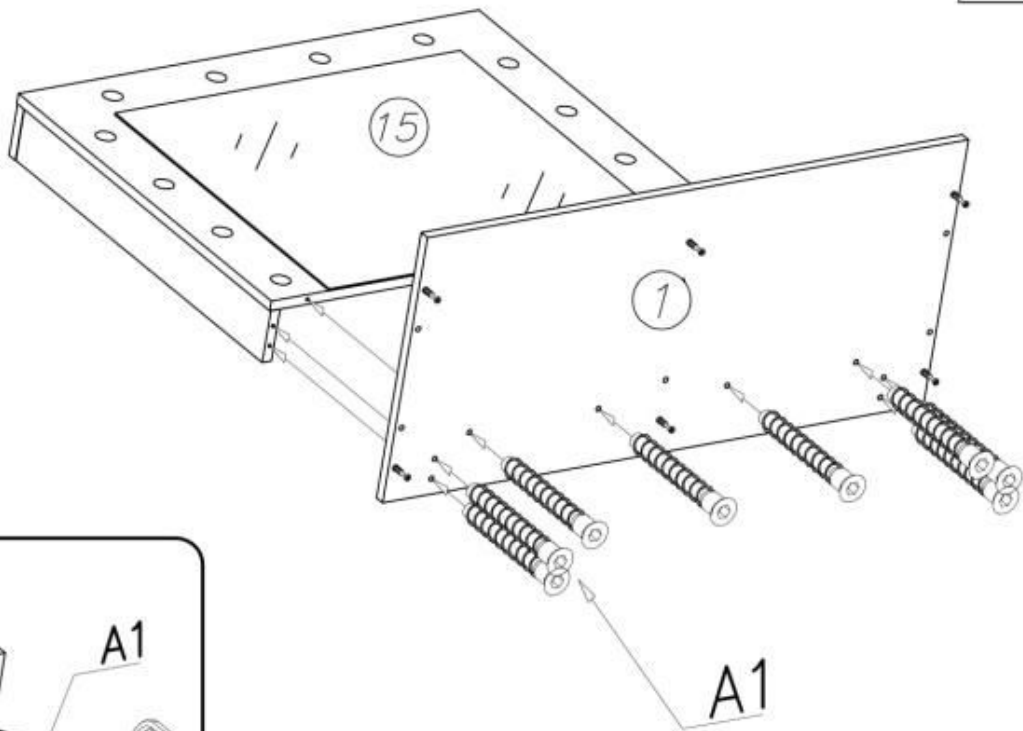
4



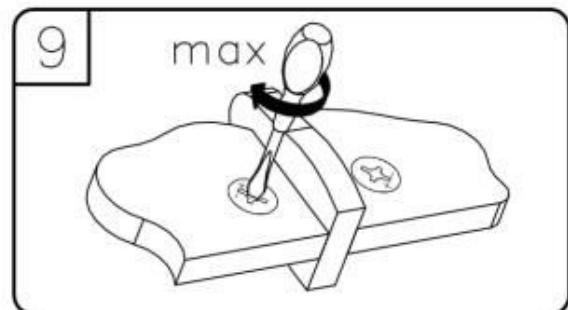
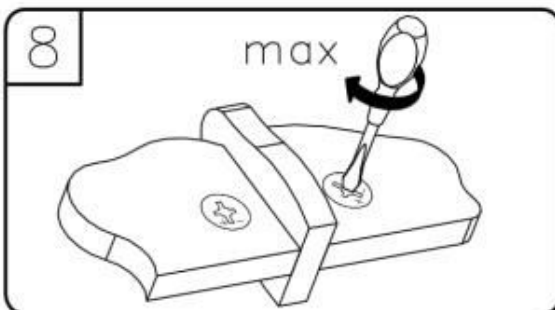
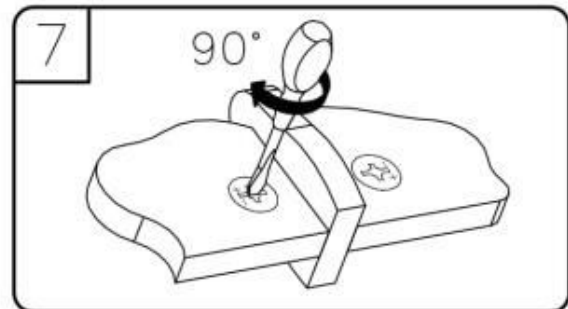
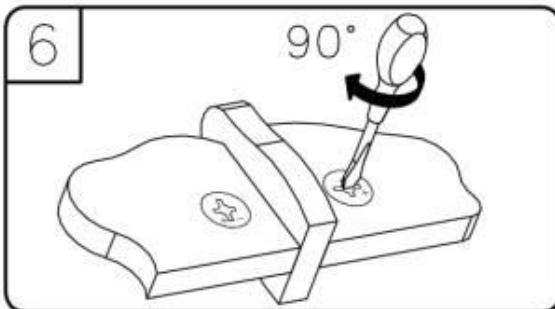
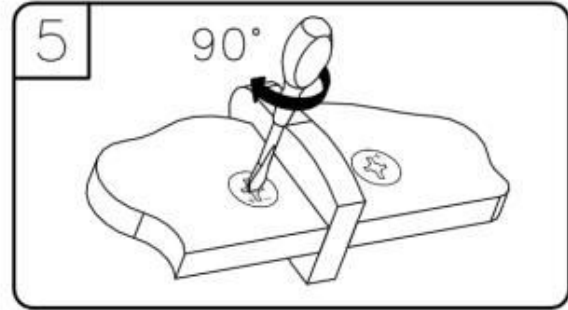
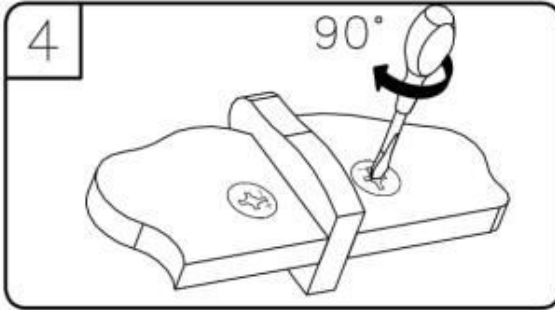
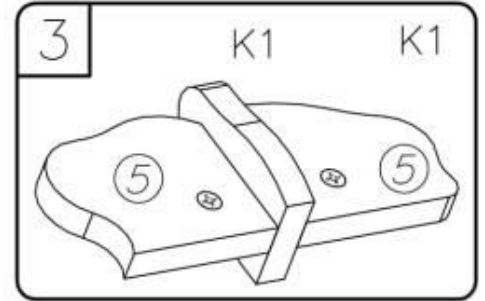
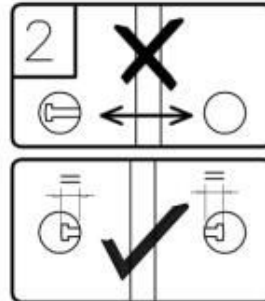
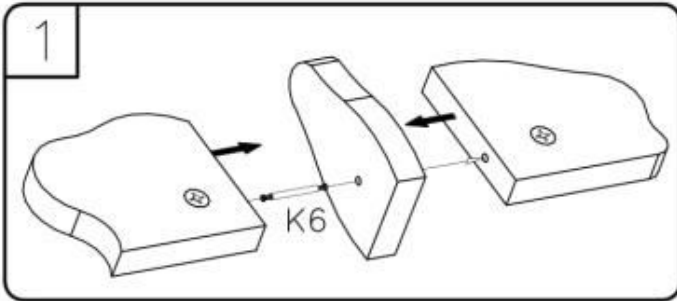
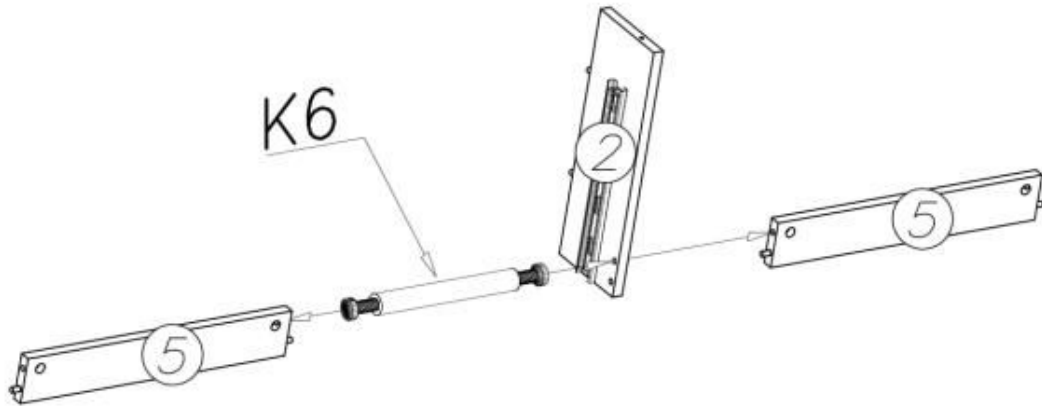
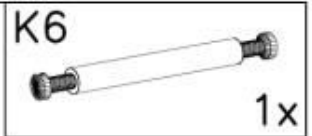
5



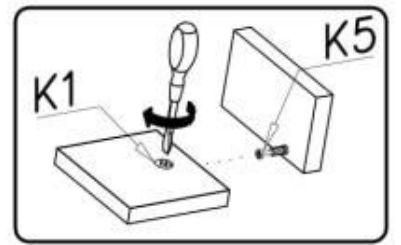
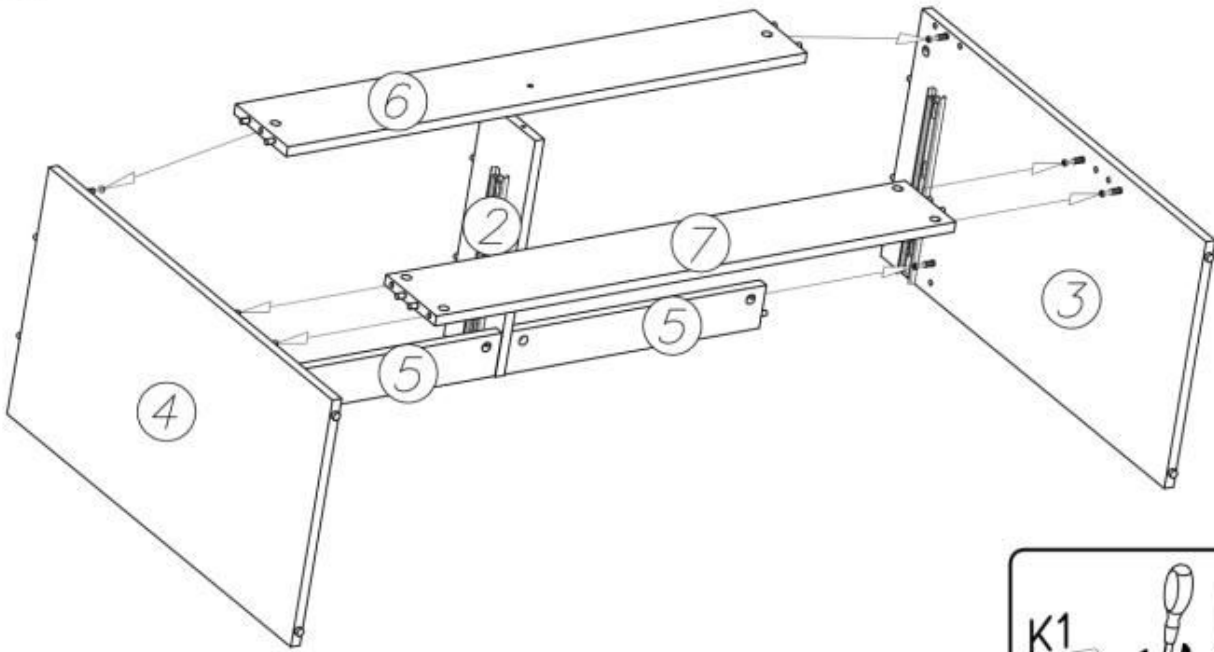
6



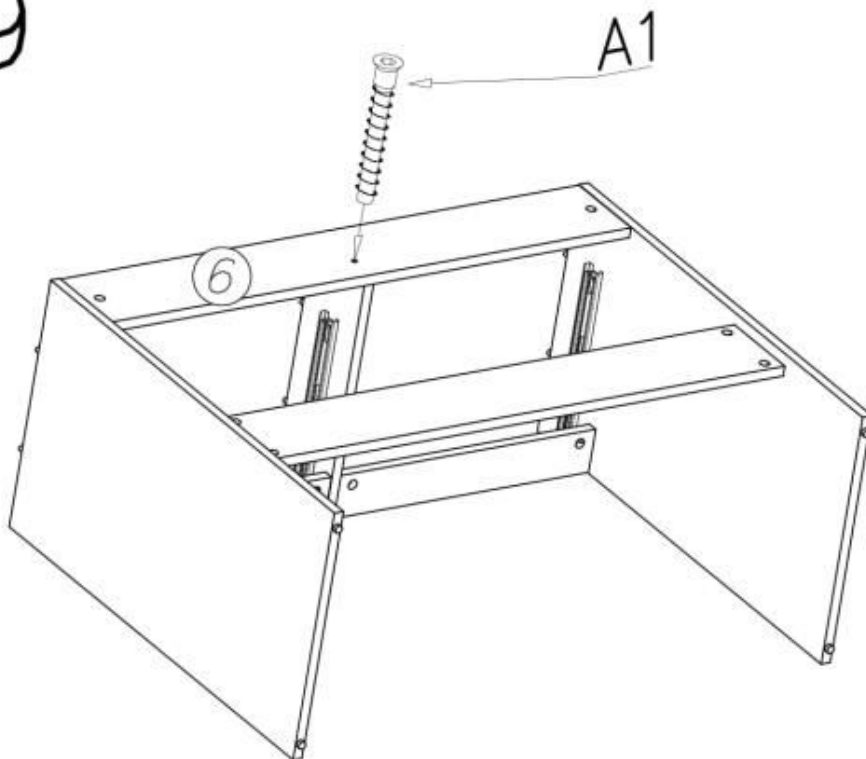
7



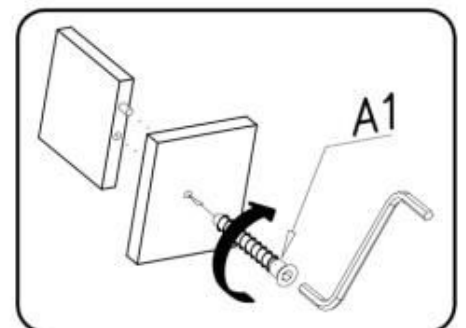
8



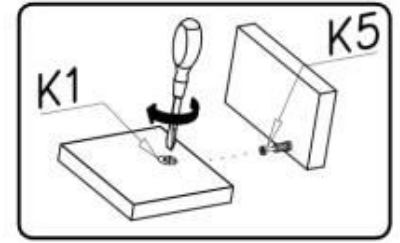
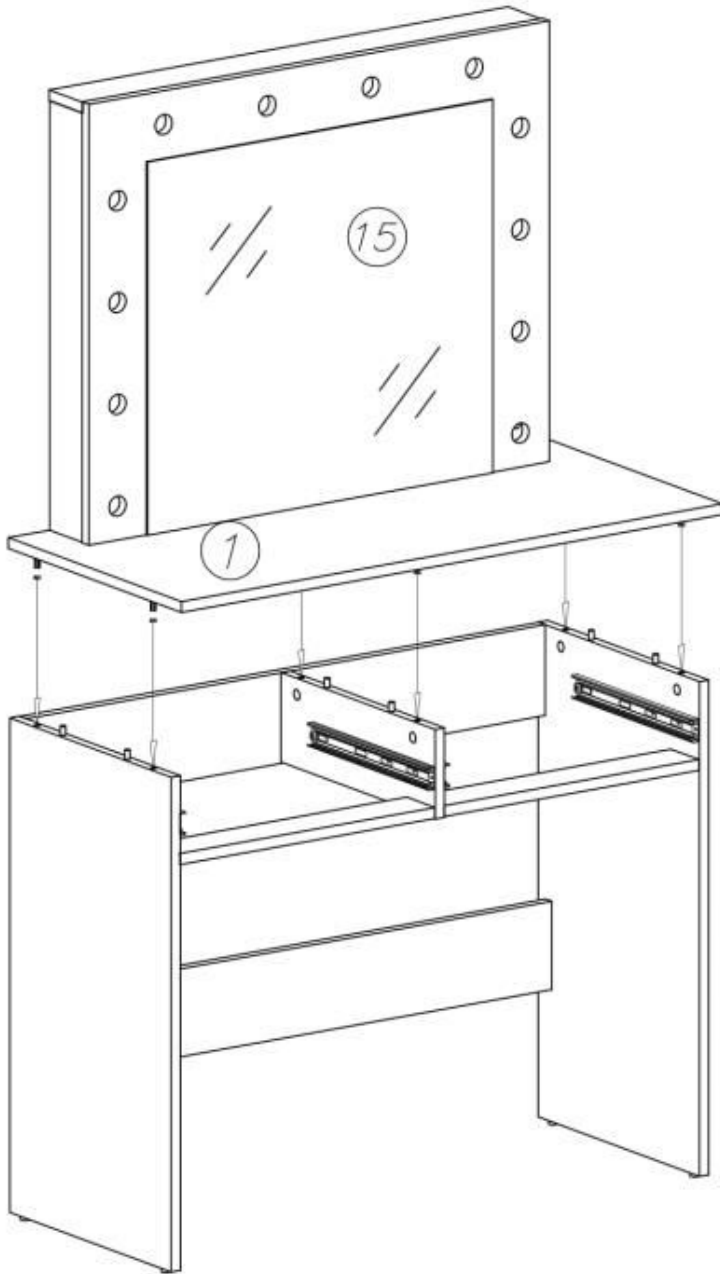
9



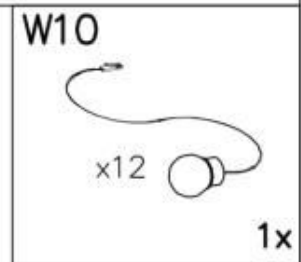
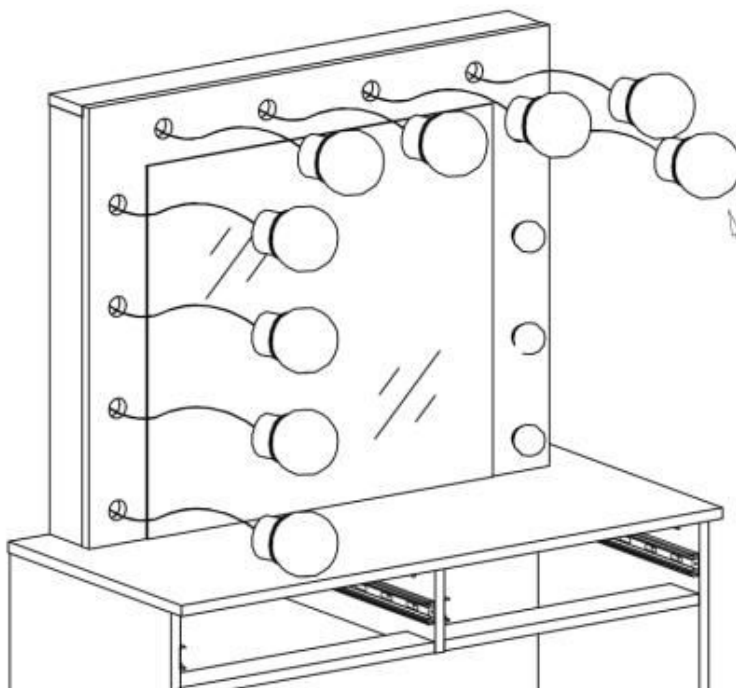
| | | |
|----|-------|----|
| W2 | | 1x |
| A1 | | 1x |
| | Ø7x50 | |



10

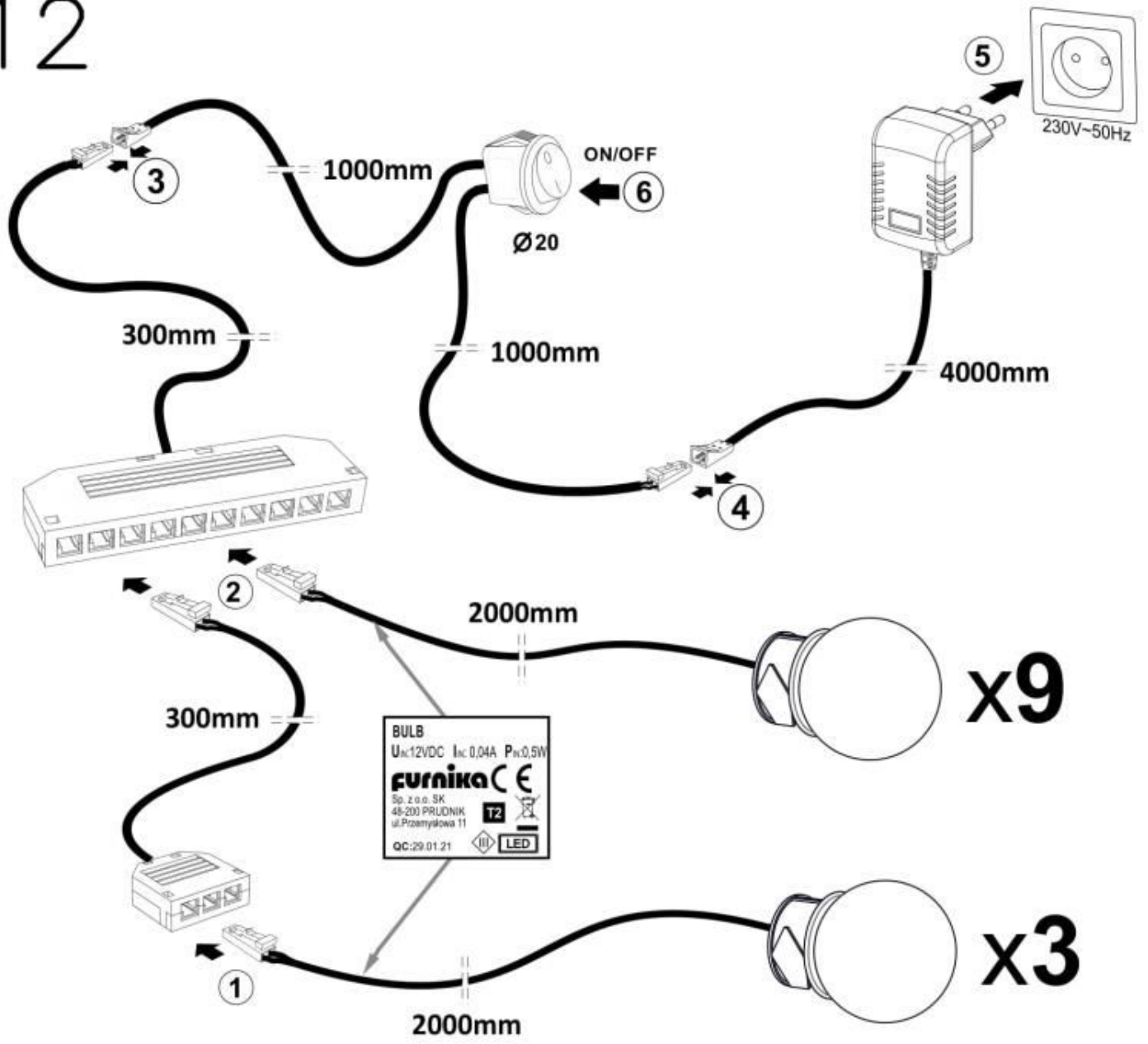


11

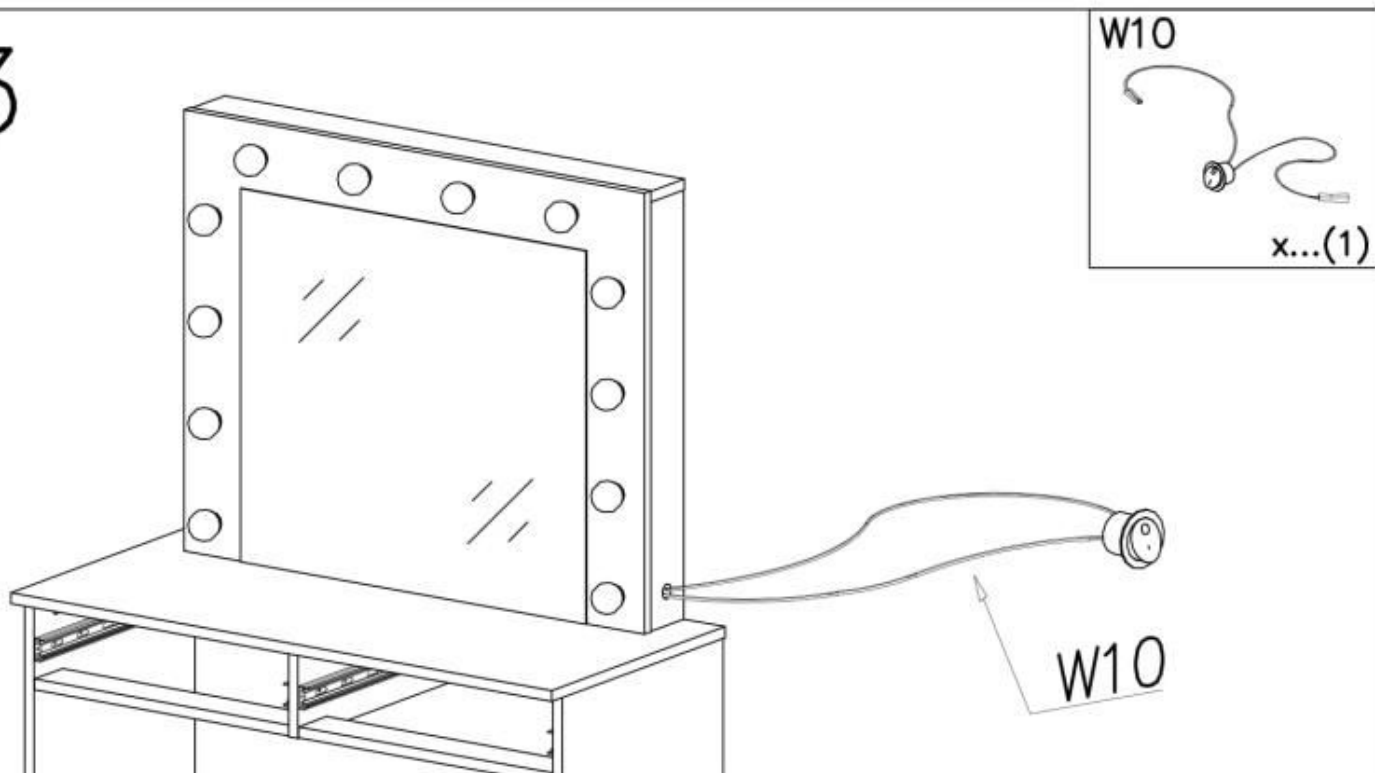


W10

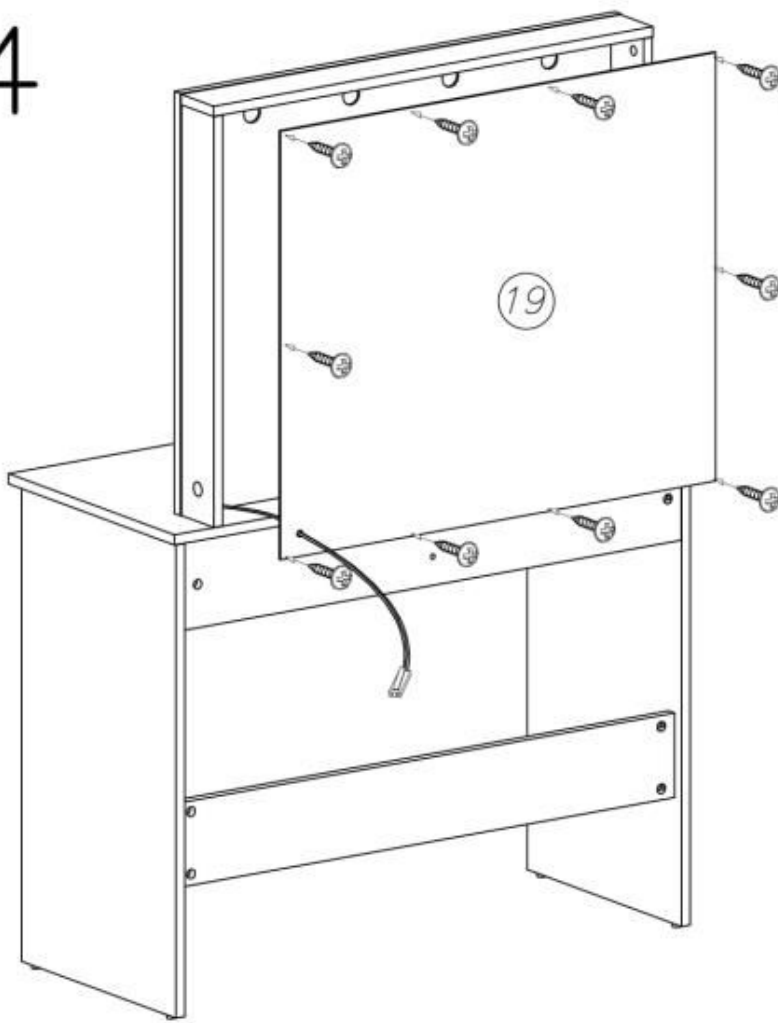
12




13



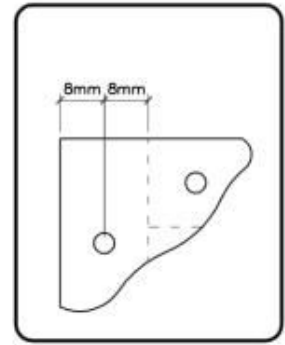
14



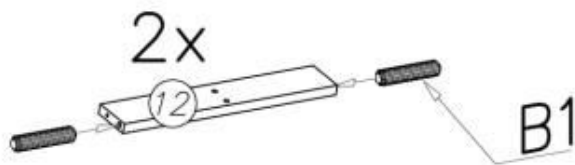
G22 
3x16 10x

G22


19




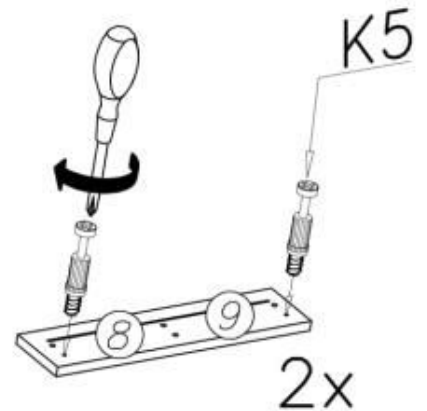
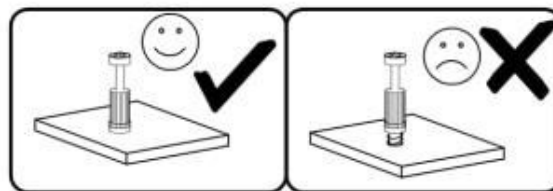
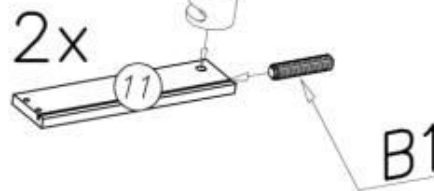
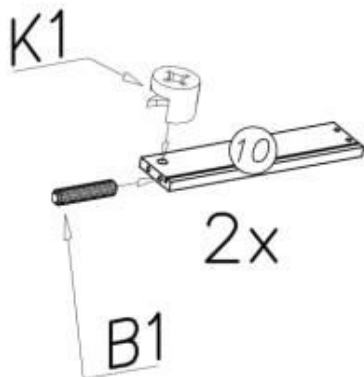
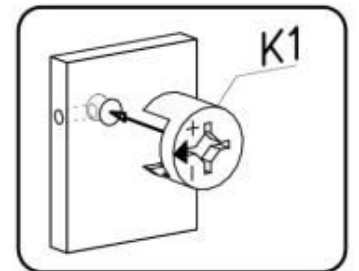
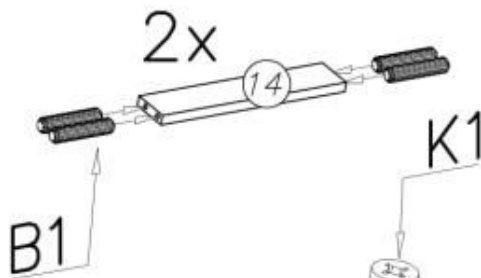
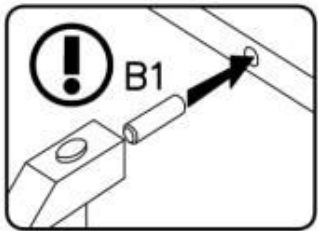
15



K1 
Ø15x12 4x

B1 
Ø8x30 16x

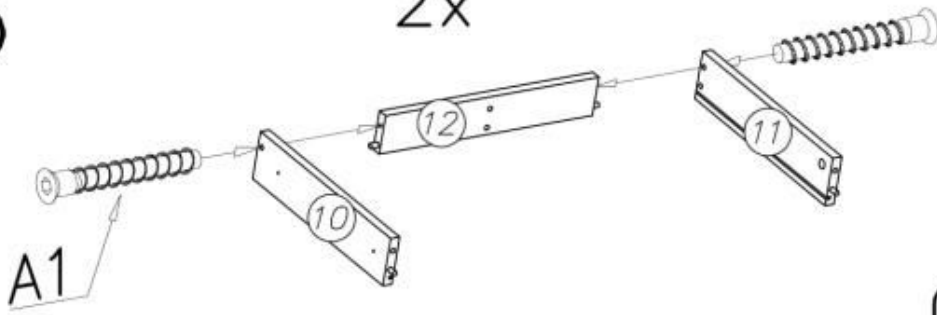
K5 
4x

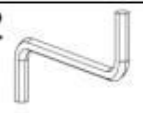
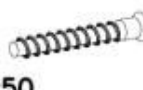


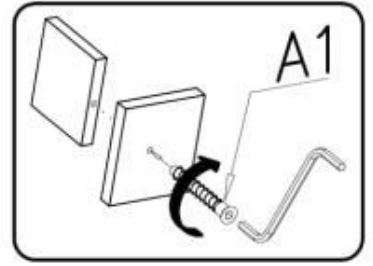
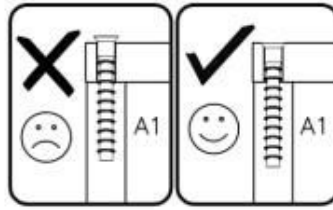
2x

16

2x

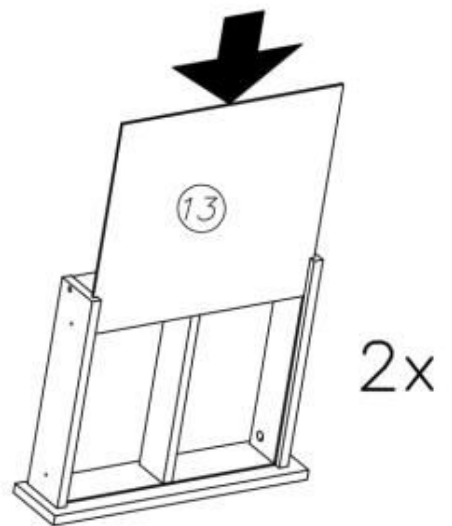
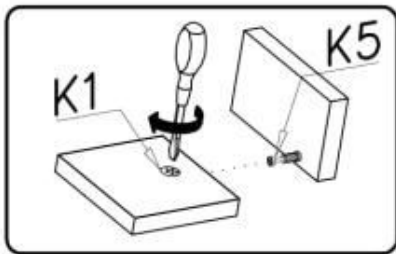
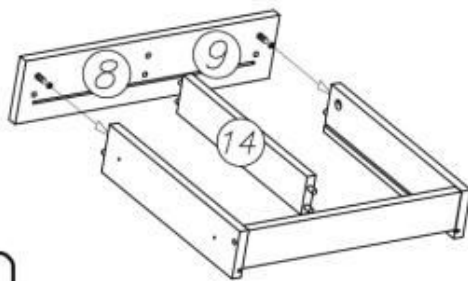


- W2  1x
- A1  4x
ø7x50



17


2x

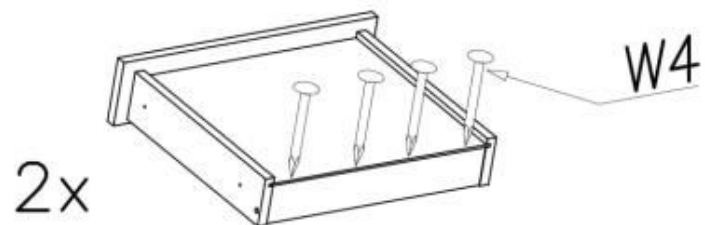
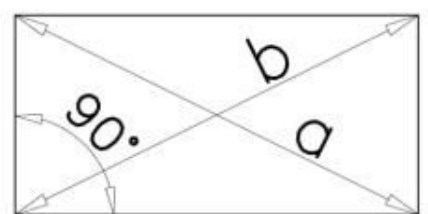
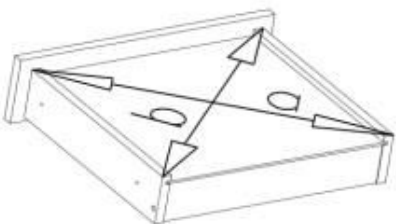


18

a=b

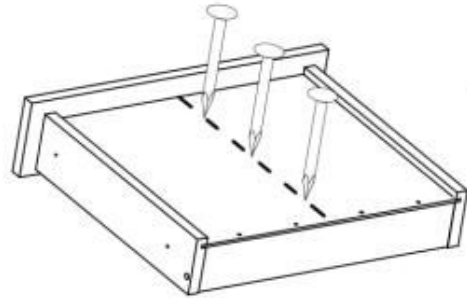
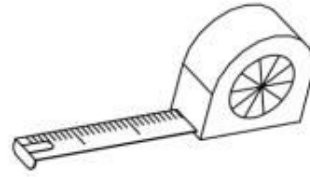
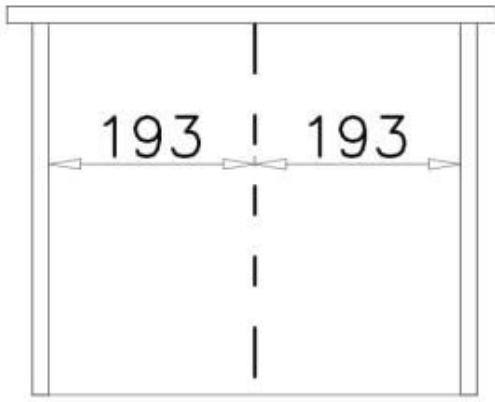


- W4  8x
ø1,4x20



19

W4
ø1,4x20 6x

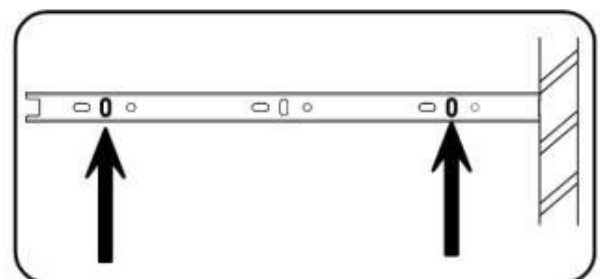
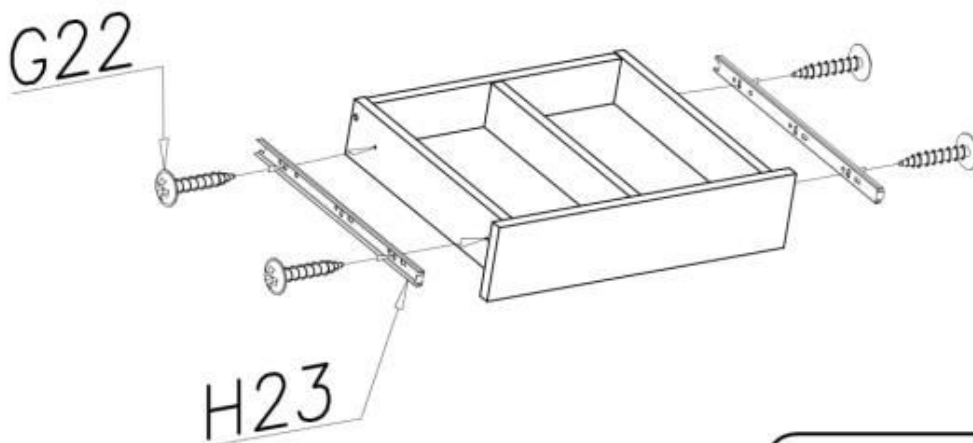


2x

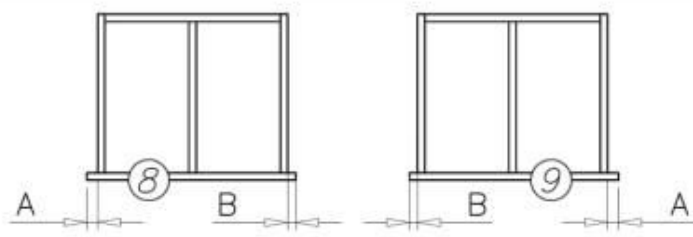
20

G22
3x16 8x

H23
H30-350mm 2x



21



17
ø18 14x

